

IN-BED ADJUSTABLE TIRE CARRIER

2020+ JEEP JT

TCGL-03



TOOLS REQUIRED

- 5mm Allen head sockets
- 10mm, 13mm, 19mm wrenches/sockets
- Grease
- Safety Glasses

SKILL LEVEL

- Intermediate
 - 1 (you) to 2 persons
- Medium skill level required, you can easily install it by yourself however, additional help will be useful

TIME REQUIRED

- 3.5 Hours
- Time to install this should only take about three and a half hours

WARNINGS/CAUTIONS BEFORE STARTING INSTALLATION

Before you install this kit – Read and understand all instructions, warnings, cautions, and notes contained in this installation instruction guide. Consult your vehicle owner's manual for proper disconnection of electrical and lifting of vehicle if required for installation of this product.

This install may require some technical skills and knowledge of basic mechanical work. If you do not feel that you are capable of performing this install please take this product to a trained professional.

After reading this guide please contact us with any questions or concerns before installing product.
Customer Service: 855-680-9595

DV8 Offroad is not responsible for any bodily injury or harm to you or your vehicle as a result of an improper install.

Proper installation of this kit required knowledge of the factory recommended procedures for removal and installation of original equipment components. We recommend that the factory shop manual and any special tools needed to service your vehicle be on hand during the installation. Installation of this kit without proper knowledge of the factory recommended procedures may affect the performance of these components and the safety of the vehicle

- Always wear eye protection when operating power tools

Inspect all contents of this package to make sure product is not damaged and all installation hardware has been included. If parts are missing from kit, please be prepared to provide the following information

1. Name of purchase location
2. Bar Code on side of box
3. Date above bar code
4. Date inside box cover

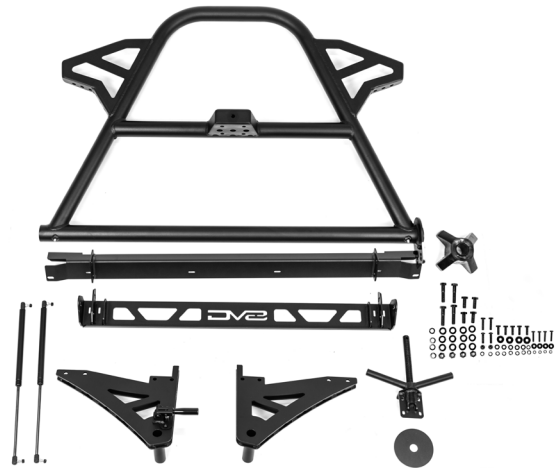


INSTALLATION MANUAL

Begin by unpacking all items and inspecting for missing pieces or damage. If you have any concerns, please contact the company the product was purchased from. Extra hardware may be included with the product.

HARDWARE INCLUDED

- | | |
|------------------------|----------------------|
| (4) M12x55mm Hex Bolts | (5) M8 Flat Washers |
| (4) M12x30mm Bolts | (2) M8x35mm Hex Bolt |
| (4) M12 Split Washers | (2) M8x18 Nutserts |
| (12) M12 Flat Washers | (4) M6x30 Hex Bolt |
| (4) M12 Lock Nuts | (4) M6 Large Washers |
| (5) M8x35mm Hex Bolt | (4) M6 Split Washers |
| (9) M8 Split Washers | |



STEP 1 | Clear out the JT truck bed, if your truck bed is equipped with a Bed Mat it will need to be removed.

The DV8 Adjustable tire carrier will utilize the factory holes in bed to mount the tire carrier.



STEP 2 | Place the tire carrier base bracket in the truck bed as shown.

Using the provided M8x35mm Hex bolts and a 13mm socket/wrench, secure the base bracket to the vehicle. Ensure the bracket is flat against the rear bed panel.

Use (1) M8 split washer and (1) M8 flat washer per hex bolt.



INSTALLATION MANUAL

STEP 3 | Place the tire carries upper bracket onto the truck beds rear panel as shown.

Use the provided M8x30mm Allen head bolt for the (2) mounting pints at the end of the upper bracket. Use a #5 allen tool to secure these (2) M8 bolts.

Use (1) M8 flat washer per allen head bolt.



STEP 4 | Use the provided (4) M6x30mm hex bolts and a 10mm socket to secure the center of the upper bracket to the bed panel.

Use (1) M6 split washer and (1) M6 flat washer per hex bolt.

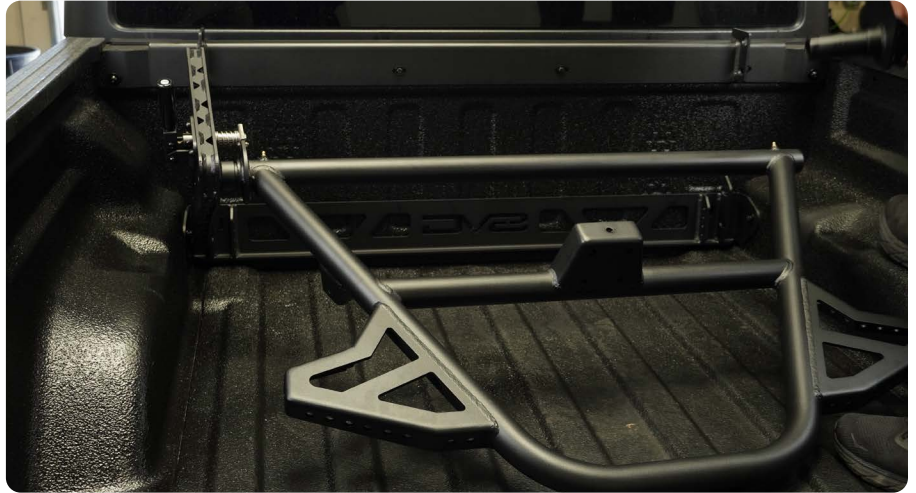


STEP 5 | Slide the tube tire carrier on to the drivers side, side mount with handle.



INSTALLATION MANUAL

STEP 6 | Place the drivers side mount and tire carrier against upper and lower brackets and loosely install the M12x55mm bolts.



STEP 7 | Slide the passenger side bracket into carrier and install mount to the rear cross bar using M12x55mm bolts.



INSTALLATION MANUAL

STEP 8 | Install the lower hardware using the provided M12x30 bolts.

Note: These bolt will be inserted on the inside pointing toward the outside of the vehicle.



STEP 9 | Using a 19mm socket. Lifting up slightly on the carrier, tighten the top (4) M12 bolts.



INSTALLATION MANUAL

STEP 10 | Using a 19mm socket or wrench, tighten the bottom (4) bolts.



STEP 11 | Installing the shocks is easier with two people. Holding the carrier slightly above 90deg (flat with the bed floor), install the gas shocks that were provided.

There are multiple holes to choose from on the bottom bracket, so the shock placement may vary, just ensure they are even on both sides.



STEP 12 | Using a 12mm & 13mm wrench wrenches, tighten upper and lower mounts on both shocks.



INSTALLATION MANUAL



STEP 13 | Install the post onto the tire carrier mount using the (5) M8x25mm bolts using a 13mm socket.



INSTALLATION MANUAL

STEP 14 | Adjust the tire to the 45deg position, and with assistance, lift the tire onto the post.



STEP 15 | Center the tire over the post and insert the rubber cone into the tire.

Place the round plate over the cone and then secure into place with the T-handle.



INSTALLATION MANUAL

STEP 16 | Before use, grease both pivot points adequately at grease zerks.

Move carrier up and down to spread grease to prevent rusting and ensure smooth movement.



STEP 17 | Double check all hardware is tight and secure.

Congratulations, you are done with the install of the DV8 JT Adjustable In-bed Tire Carrier!

