

FRONT SKID PLATE

2024+ TOYOTA LAND CRUISER

SPTL4-02



TOOLS REQUIRED

- 5mm Allen Tool
- 12mm, 13mm, 17mm and 18mm Socket
- Safety Glasses

SKILL LEVEL

- Novice/Intermediate
- 1 (you) to 2 persons

Little skill level required, you can easily install it by yourself however, additional help will be useful

TIME REQUIRED

- 1.5 Hours

Time to install this should only take about an hour and a half.

WARNINGS/CAUTIONS BEFORE STARTING INSTALLATION

Before you install this kit – Read and understand all instructions, warnings, cautions, and notes contained in this installation instruction guide. Consult your vehicle owner's manual for proper disconnection of electrical and lifting of vehicle if required for installation of this product.

This install may require some technical skills and knowledge of basic mechanical work. If you do not feel that you are capable of performing this install please take this product to a trained professional.

After reading this guide please contact us with any questions or concerns before installing product.
Customer Service: 855-680-9595

DV8 Offroad is not responsible for any bodily injury or harm to you or your vehicle as a result of an improper install.

Proper installation of this kit required knowledge of the factory recommended procedures for removal and installation of original equipment components. We recommend that the factory shop manual and any special tools needed to service your vehicle be on hand during the installation. Installation of this kit without proper knowledge of the factory recommended procedures may affect the performance of these components and the safety of the vehicle

- Always wear eye protection when operating power tools

Inspect all contents of this package to make sure product is not damaged and all installation hardware has been included. If parts are missing from kit, please be prepared to provide the following information

1. Name of purchase location
2. Bar Code on side of box
3. Date above bar code
4. Date inside box cover

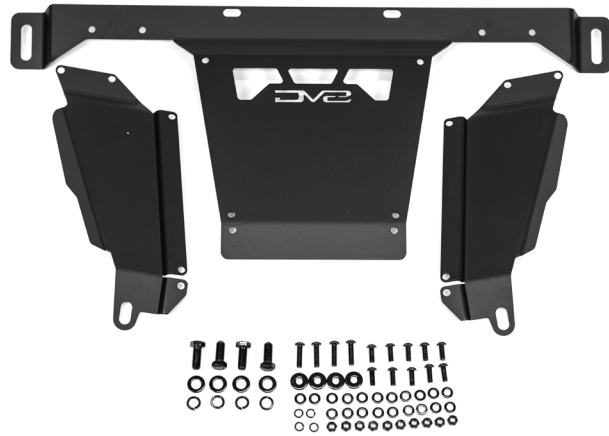


INSTALLATION MANUAL

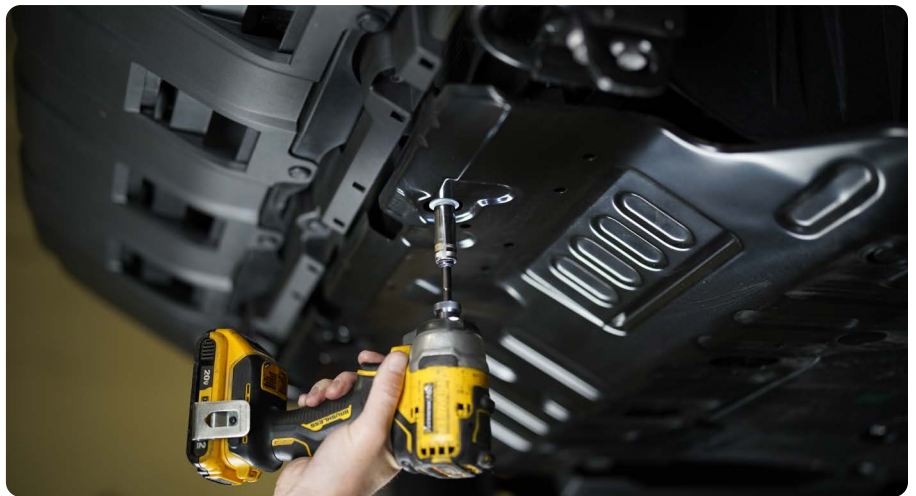
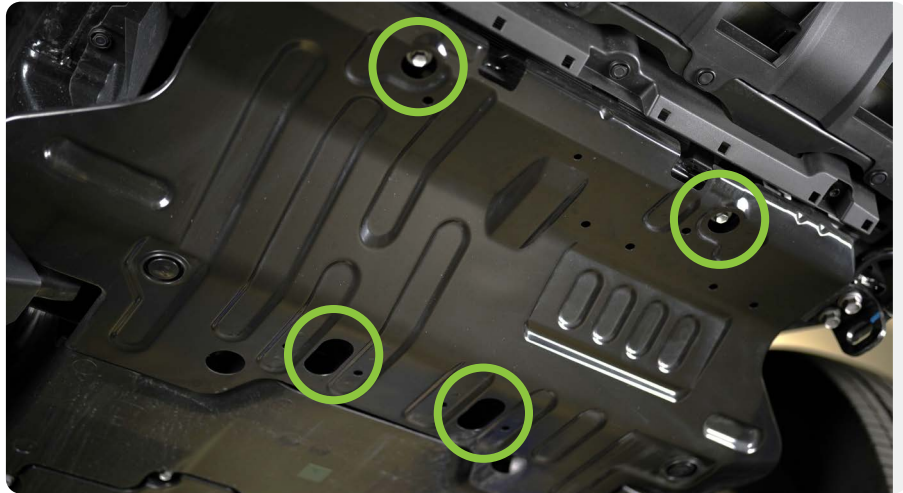
Begin by unpacking all items and inspecting for missing pieces or damage. If you have any concerns, please contact the company the product was purchased from. Extra hardware may be included with the product.

HARDWARE INCLUDED

- | | |
|-------------------------------|------------------------|
| (10) M8x20mm Allen Head Bolts | (4) M8 Split Washers |
| (20) M8 Washers | (4) M8 Enlarge Washers |
| (10) M8 Nylon Lock Nuts | (4) M12x30mm Hex Bolts |
| (4) M8x30mm Allen Head Bolts | (4) M12 Washers |
| | (8) M12 Split Washers |



STEP 1 | Use a 12mm socket to remove the (4) factory bolts that hold the front OE skid plate.



INSTALLATION MANUAL

STEP 2 | Use a 17mm socket to remove the factory recovery hooks.

If planning to run SPTT1-09 & SPTL4-02 together please refer to the SPTT1-09 install guide.



INSTALLATION MANUAL

STEP 3 | Lay out the DV8 Front Skid plate pieces on a covered work bench face down as shown.



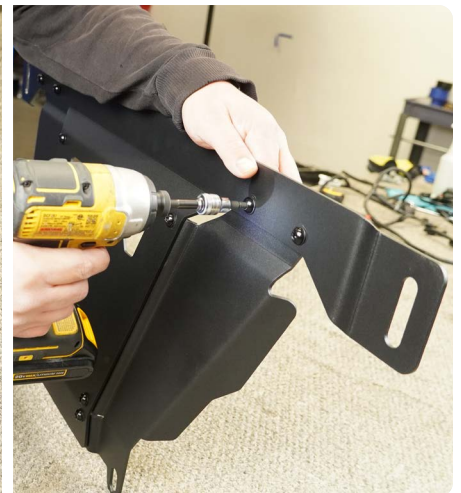
STEP 4 | Place the skid plates wings behind/on top of the center plate.

Thread the provided M8X20mm Allen Head bolts through the center plates face, the through the wing to loosely secure the wings to the center plate using the provided M8 Lock nuts.



STEP 5 | Use a #5 allen tool and 13mm wrench/socket to secure the (10) M8x20m wing bolts.

If planning to run SPTT1-09 & SPTL4-02
Skip to step



INSTALLATION MANUAL

STEP 6 | Lift the skid plate up to the vehicle. Align the front mounting holes with the threaded recovery hook bolt holes and align the rear mounting holes with the threaded skid plate mounting holes in the front cross member.

If running the factory front bumper you can reinstall the factory recovery hooks at this time.



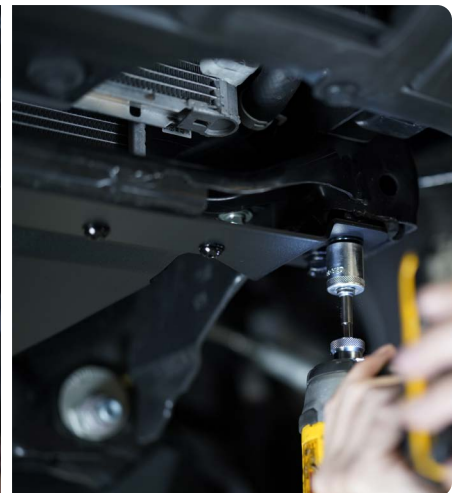
STEP 7 | Use the (4) provided M12 hardware with (1) flat washer and (1) split washer each bolt to loosely secure the front of skid plate (and recovery hooks) to the vehicle.

Use the (2) provided M8x30mm Allen head bolts with (1) split washer and (1) flat washer each bolt to loosely secure the rear of the skid plate



STEP 8 | Use a #5 Allen tool to secure the (2) rear M8 mounting bolts.

Use a 18mm socket to secure the (4) M12 front mounting bolts.



INSTALLATION MANUAL

STEP 9 | (SPTT1-09 & SPTL4-02)

Use (2) of the M8x30 Allen head bolts to loosely secure the rear of the SPTT1-09 skid plate.



STEP 10 | Lift up the DV8 Front Skid plate aligning the front mounting holes with the recovery hook threaded holes while sandwiching SPTT1-09 between the front cross-member and front skid plate.

If running the factory front bumper you can reinstall the factory recovery hooks at this time.

Use the (4) provided M12 Hex bolt with (1) flat washer and (1) split washer per bolt to loosely secure the front of the skid plate to the vehicle.



INSTALLATION MANUAL

STEP 11 | Use (2) of the provided M8x30mm allen head bolts with (1) flat washer and (1) split washer per bolt to secure SPTT1-09 and SPTL4-02 to the front cross-member.



STEP 12 | Use an 18mm socket to secure SPTL4-02's front mounting bolts.



STEP 13 | Double check that all hardware is secure,

Congratulations, installation of the DV8 skid plate is now complete.

