

REAR SEAT CUP HOLDER/MOLLE

21+ BRONCO (4-DOOR)

MPBR-07



TOOLS REQUIRED

- Box cutter/Scissors/Razor/Similar
- Philips Head Screwdriver
- Trim Clip Tool or Flat Head Screwdriver
- 13mm Socket
- #4 Allen Bit

SKILL LEVEL

- Novice
 - 1 (you)
- Little skill level required, you can easily install it by yourself.

TIME REQUIRED

- 1 Hour
- Time to install this should only take about 1 hour.

WARNINGS/CAUTIONS BEFORE STARTING INSTALLATION

Before you install this kit – Read and understand all instructions, warnings, cautions, and notes contained in this installation instruction guide. Consult your vehicle owner’s manual for proper disconnection of electrical and lifting of vehicle if required for installation of this product.

This install may require some technical skills and knowledge of basic mechanical work. If you do not feel that you are capable of performing this install please take this product to a trained professional.

After reading this guide please contact us with any questions or concerns before installing product.
Customer Service: 855-680-9595

DV8 Offroad is not responsible for any bodily injury or harm to you or your vehicle as a result of an improper install.

Proper installation of this kit required knowledge of the factory recommended procedures for removal and installation of original equipment components. We recommend that the factory shop manual and any special tools needed to service your vehicle be on hand during the installation. Installation of this kit without proper knowledge of the factory recommended procedures may affect the performance of these components and the safety of the vehicle

- Always wear eye protection when operating power tools

Inspect all contents of this package to make sure product is not damaged and all installation hardware has been included. If parts are missing from kit, please be prepared to provide the following information

1. Name of purchase location
2. Bar Code on side of box
3. Date above bar code
4. Date inside box cover

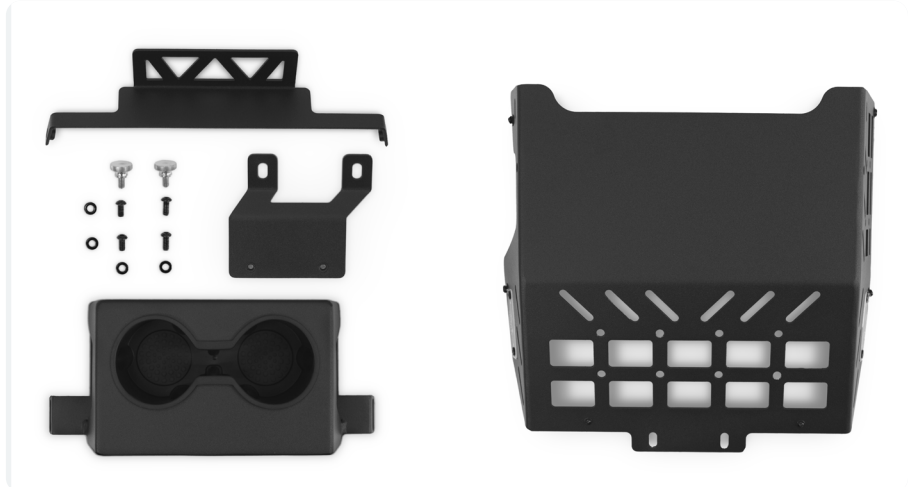


INSTALLATION MANUAL

Begin by unpacking all items and inspecting for missing pieces or damage. If you have any concerns, please contact the company the product was purchased from. Extra hardware may be included with the product.

HARDWARE INCLUDED

- (2) M6 Allen Head Bolts
- (2) M6 Allen Head Bolts
- (4) Washers
- (2) Knurled Thumb Bolts



STEP 1 | With a firm grip or a trim tool, carefully remove the rear panel of the center console.

Disconnecting wiring harnesses is not required.

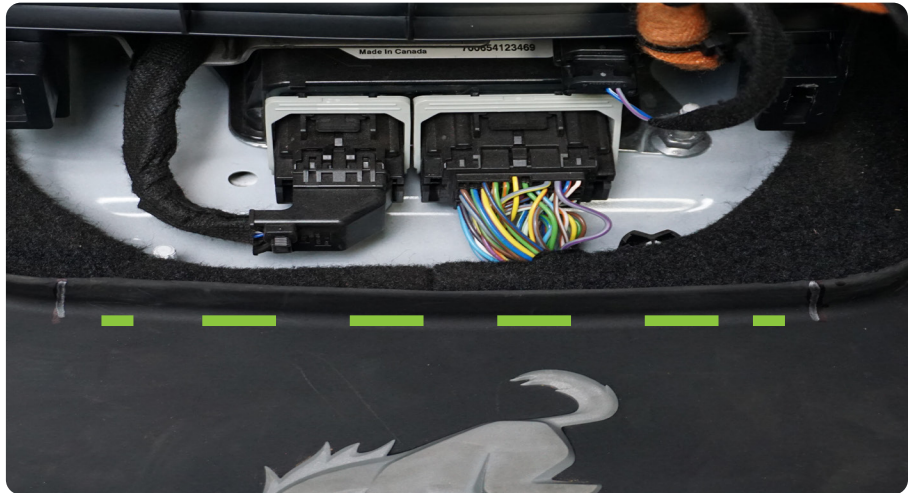


STEP 2 | Place the mounting bracket over the driveshaft tunnel. Use a marker to show where the mat will be trimmed.

Only the lip that stand up will need to be trimmed down until flat. If you do not have floor mats, skip to step 4.



INSTALLATION MANUAL



STEP 3 | Using a razor blade or similar sharp tool to cut, trim along the lines marked in previous step.



Mounting bracket should lay flat once completed.



INSTALLATION MANUAL

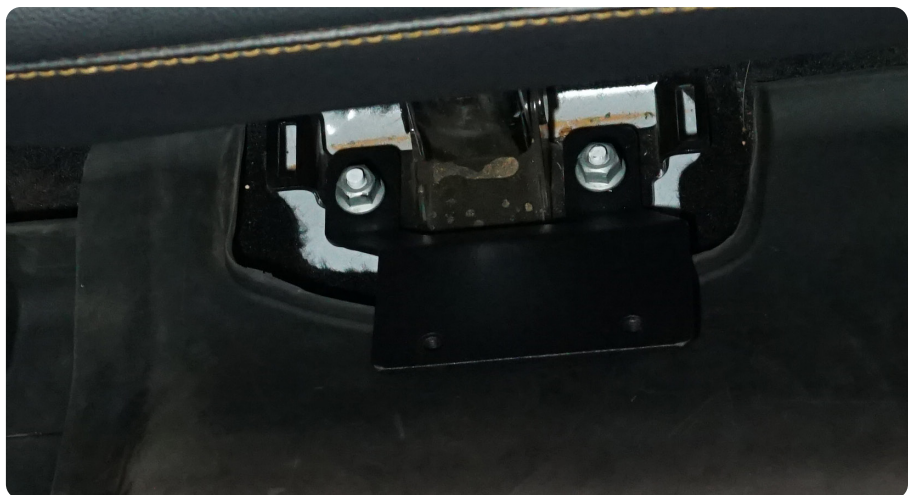
STEP 4 | Using a trim removal tool, remove the plastic cover over the center mount for the rear seat exposing the bolts.



STEP 5 | Use a 13mm socket to remove the two bolts.



STEP 6 | Place mounting bracket over the studs and using factory bolts and a 13mm, loosely secure bracket.



INSTALLATION MANUAL

STEP 7 | Place the molle base plate over the driveshaft tunnel.

Use the provided M6 hardware and a #4 allen to secure the molle base plate to the mounting brackets.



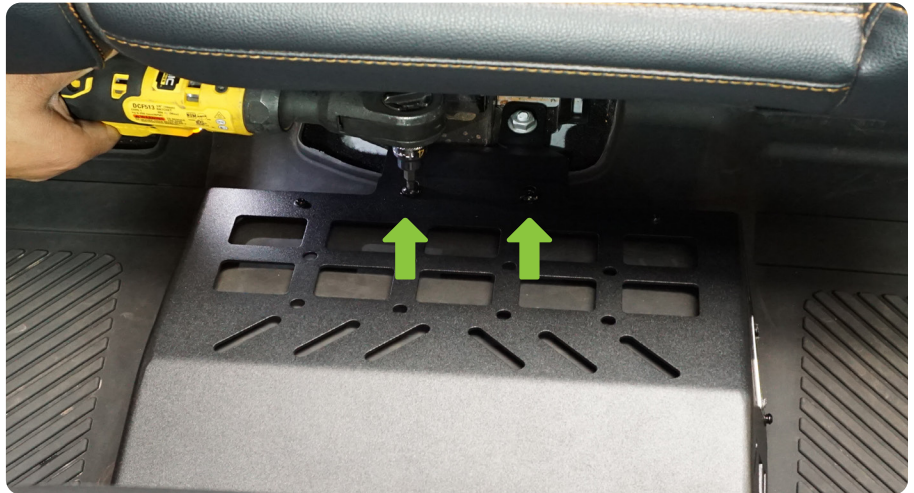
STEP 8 | Reinstall the center console at this time by aligning the tabs and pressing firmly until they "click" into place.

Please note that you may have to press firmly due to the bracket added in step 3.



INSTALLATION MANUAL

STEP 9 | Secure the molle base plate to the mounting bracket using the provided M6 hardware and a #4 Allen.



STEP 10 | Place the cup holder onto the molle base plate and secure it with the mounting knobs.

This is adjustable, so you can place it at your desired distance from the center console.



STEP 11 | Double check all mounting hardware is secure.

Congratulations the installation of the DV8 Rear Seat Cup Holder is now complete.

